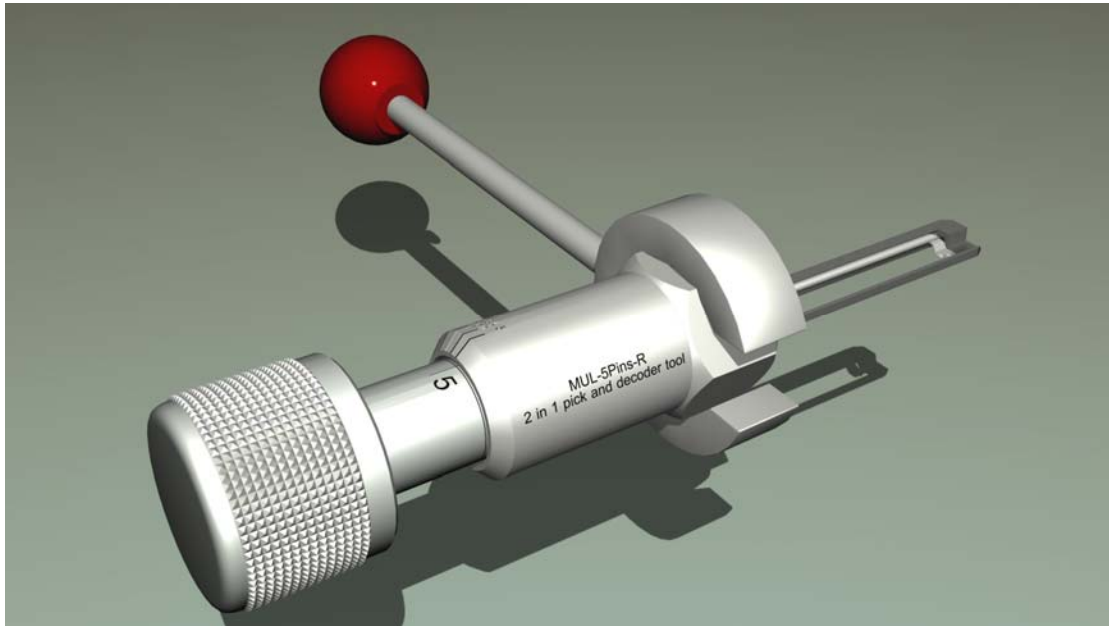


新珠中珠工具的十大改革

The Ten Reform Projects of 2 in 1 pick and decoder tool



舊款工具，如圖：

The old lock pick tool:

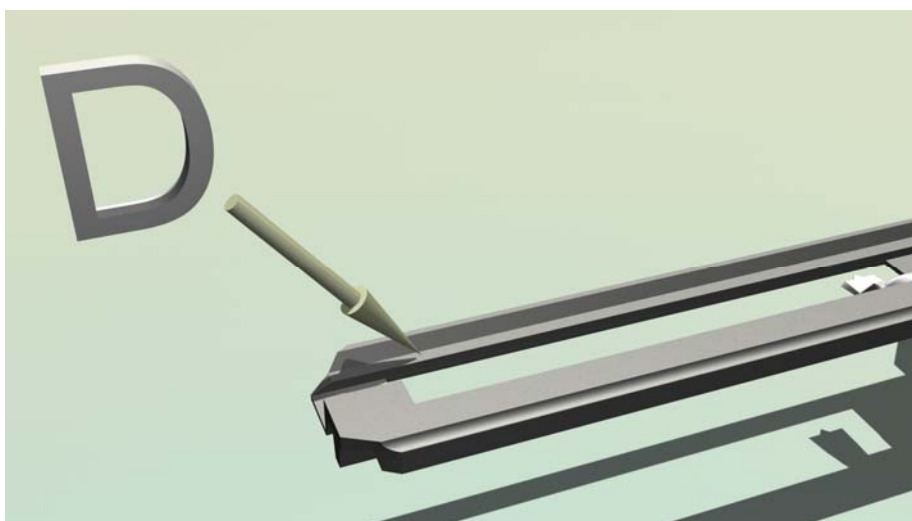
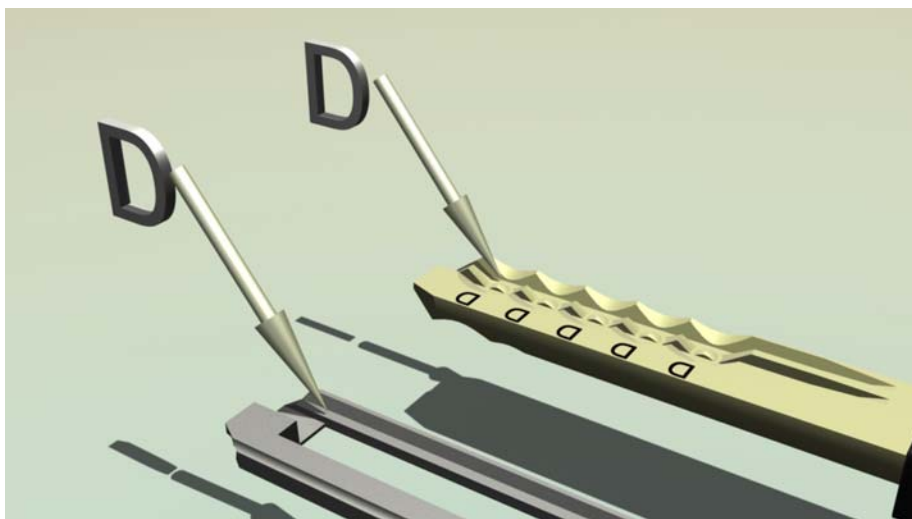
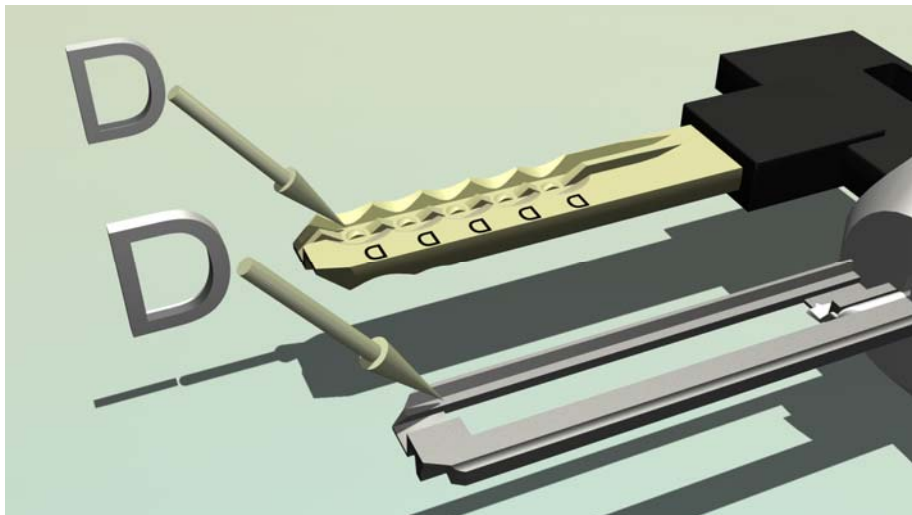


新珠中珠工具改革內容如下：

The Ten Reform Projects of 2 in 1 pick and decoder tool as follows:

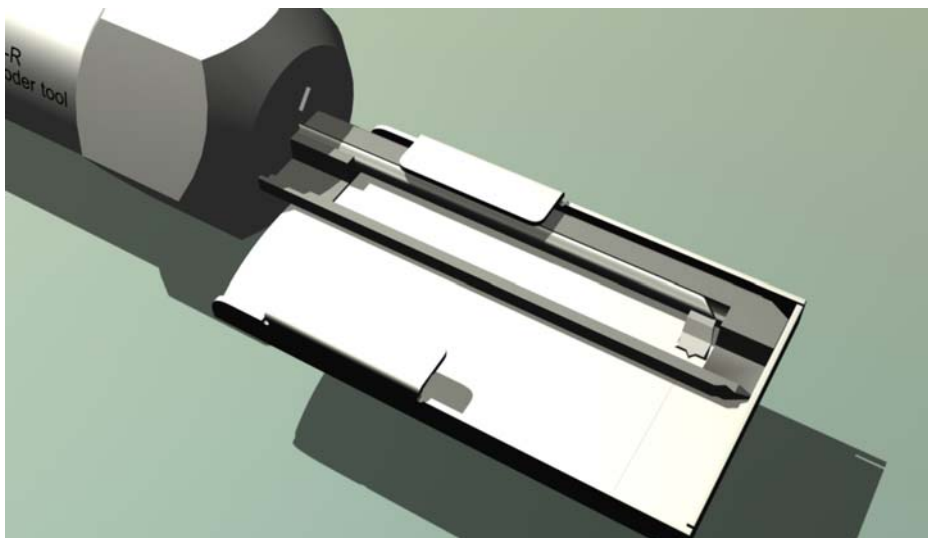
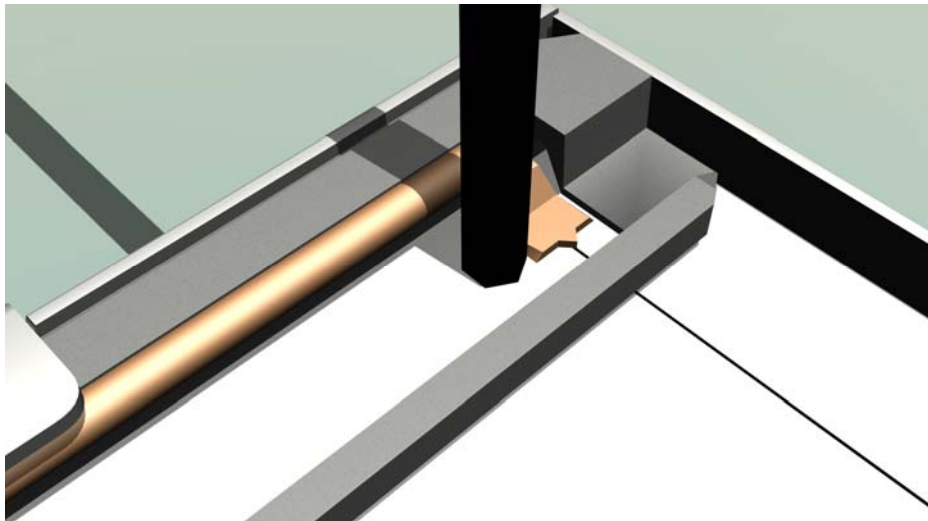
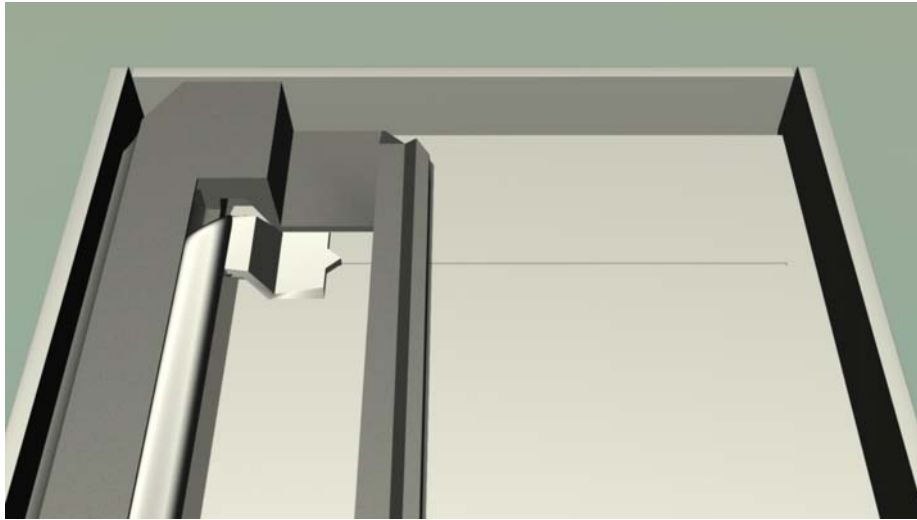
1. 工具前段坯子加工了鑰匙 D 號珠的深度，如果有 D 號珠位，當插入工具 D 珠會自動解除，坯子的材料改進不會容易折斷及變形。

This tool work the depth of Pin D, if there is D bottom location, when you insert the pick tool, Pin D will remove automatically. The material of pick billet was updated; it is no easy to broke and twist.



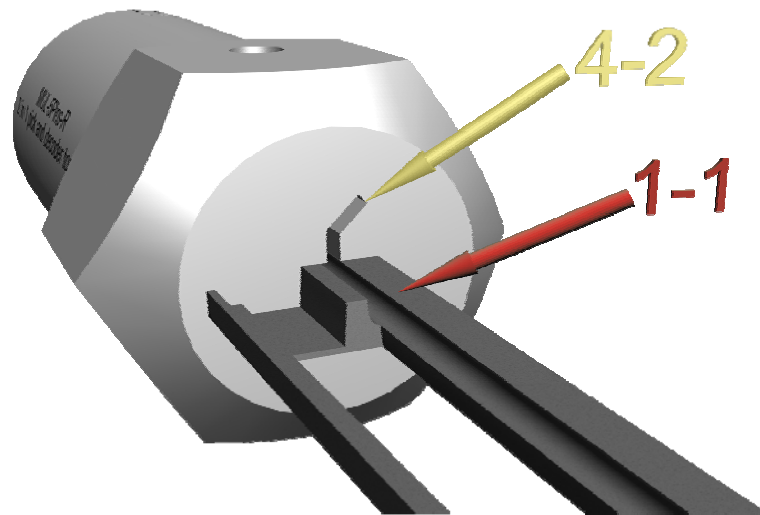
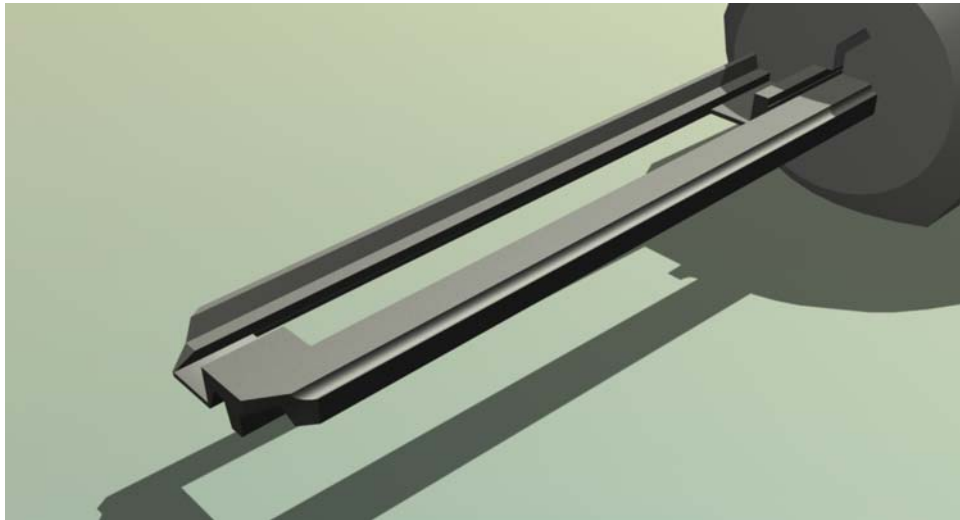
2. 開鎖針容易調教：工具針拉到最前就是最後珠的位置（5.3MM）

It is very easy to regulate the pick pin: please pull the pick pin to the most significant end of the adjustment ruler; this is the last pin's location.



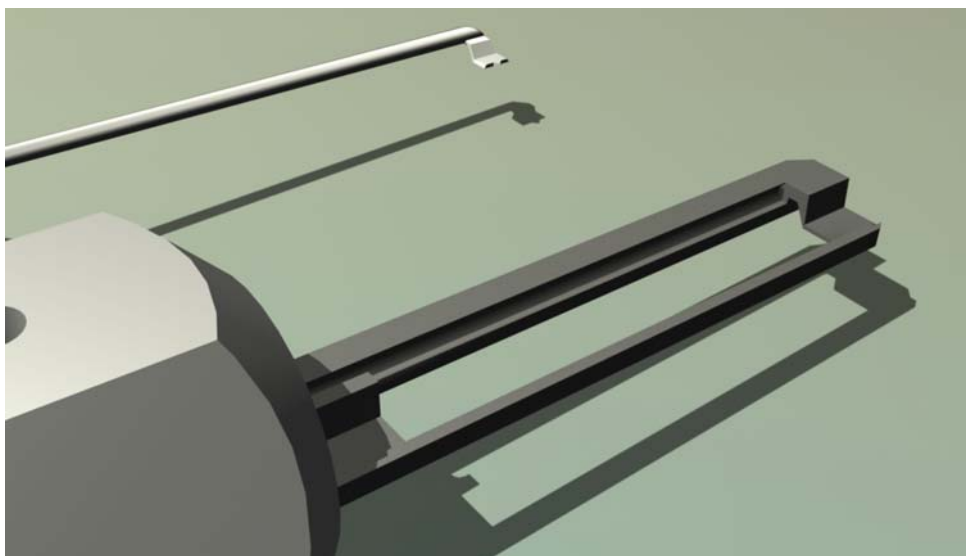
3. 工具坯子夾住開鎖針不會左右擺動

The pick billets grips the pick pin, it can not move.



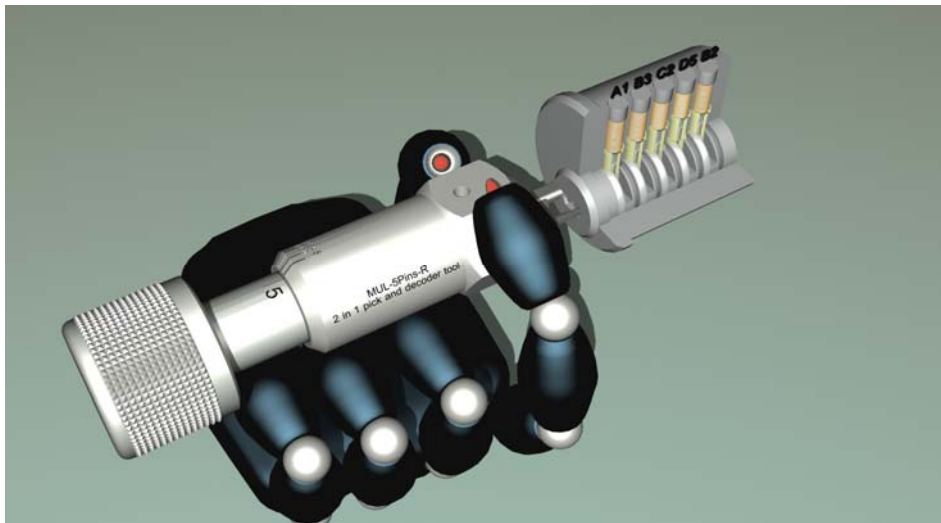
4. 工具坯子比舊款工具加硬，手感更好，可直接轉動鎖體。

The pick billet is harder than the old one, feel better and you can move the lock directly.



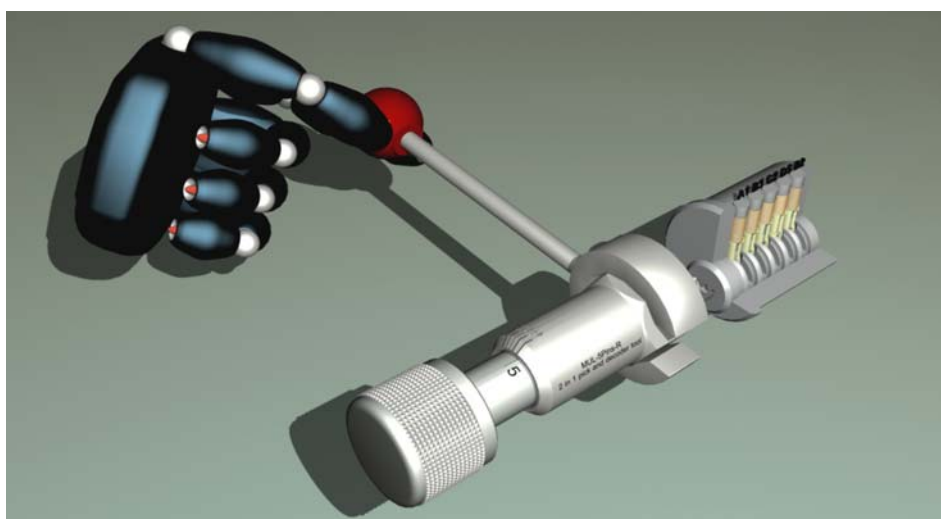
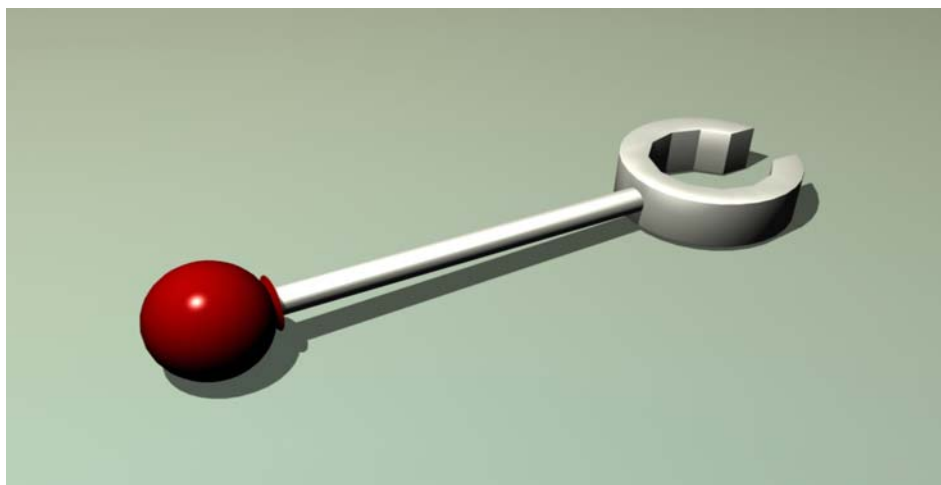
5. 工具前端的 20 寸六角螺絲可以直接做加力把手，離鎖膽更近，開鎖手感更強

In the front of the pick tool, there is a Hexagonal head screw, it can be used for handle of pretesting force and close to the lock, it feels better to open to lock.



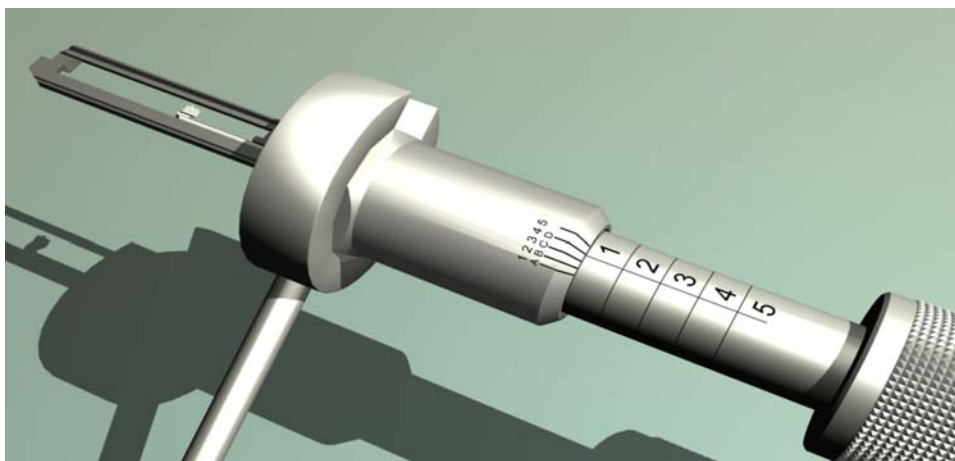
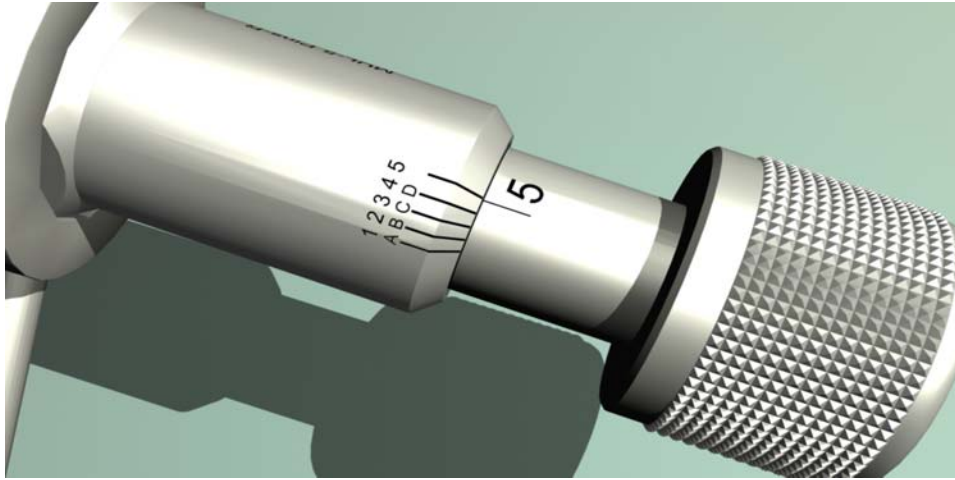
6. 附加把手，使用時可調不同的角度，方便了上門時特殊情況的開鎖

Additional handle, it can adjust different angles, it is very convenient for door-to-door service to open the lock at special situation.



7. 新工具有開鎖和讀碼功能: 工具有刻度: ABCD 12345 開鎖轉動後可以讀出密碼 (讀碼需要訓練過的鎖匠)

This new tool can open the lock and read the code: there is tool making with cylinder pin location: ABCD 12345, after you open the lock and move it, you will read the code. (Reading code need professional locksmith)



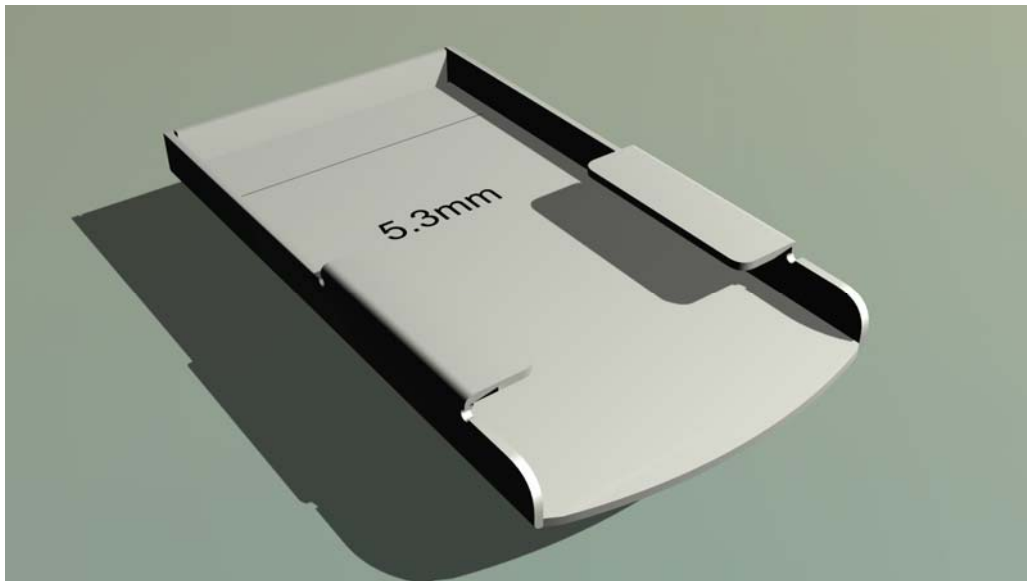
8. 新工具不要分方向，一套工具就可以開普通的鎖膽和歐式鎖膽。

Regardless of the direction, one set of tool can open lock cylinder and europe cylinder.



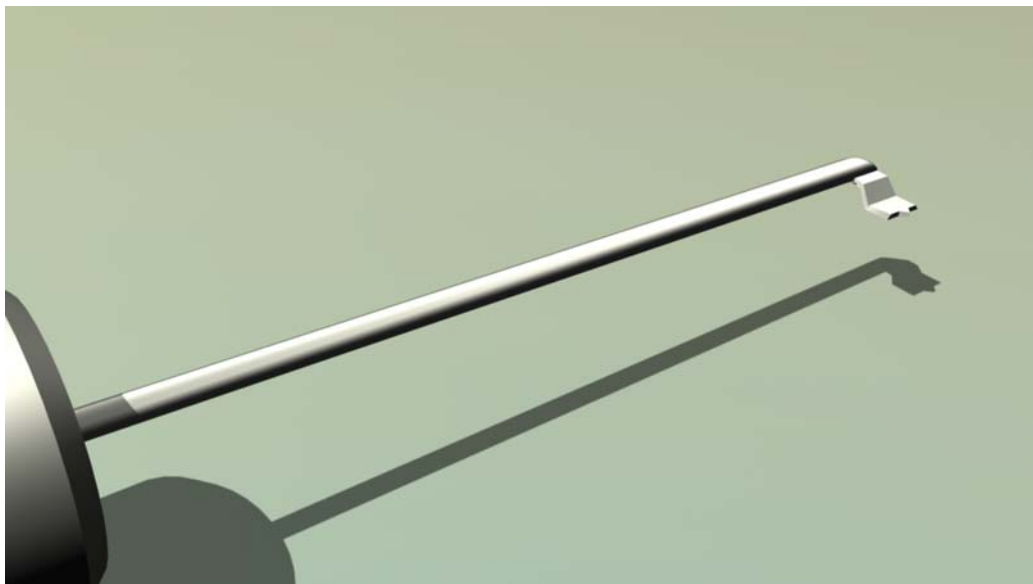
9. 雙邊尺子：調教針是否到位是否到底，雙邊 R，L 方向工具都可以用

Bilateral ruler is used for adjust the pick pin whether it is in the bottom, Right direction and left direction also can use it.



10. 開鎖針子材料有所升級，硬度更好更耐用

The material of pick pin is also updated; it is harder and more durable.



11. 鎖珠的刻度位置重新设计，不像以前是管死的，不用在限制范围内活动，可以自己調動。对各种品牌的珠中珠锁芯，更能自由使用，达到开锁目的。

The new design of pin mark location is not fixed as before, no need to use it at limited scope, you can move it. For the different brand of pin to pin cylinder, you can use free and open the lock.

